

Zero Biased Detector With 50 Ohm BNC Male to BNC Female Video Out Operating From 0.1 MHz to 1,000 MHz

**TECHNICAL DATA SHEET** **PE8000-50**

**Zero Biased Detector With 50 Ohm BNC Male to BNC Female Video Out Operating From 0.1 MHz to 1,000 MHz**

**RFWRQ**

Bias Type	Zero Biased Detector
Detector Polarity	Positive
Body Style	Straight
RF Input Connector	BNC Male
RF Input Impedance	50 Ohms
Video Output Connector	BNC Female

**(OHFWULFDO6SHFLFDWLRQ**

Frequency Range, MHz	0.1 to 1,000
Voltage Sensitivity, mV/mW	100
Tangential Signal Sensitivity	-40
Maximum VSWR	1.2:1
Flatness, dB	± 0.4
Maximum Input Power, dBm	+20
Video Capacitance, pF	1,000

**OHFWULFDO6SHFLFDWLRQ**

**Temperature**

Operating Range, deg C	-20 to +85
------------------------	------------

**Size**

Length, in [mm]	1.935 [49.15]
Width/Dia., in [mm]	0.575 [14.61]

**RF Input**

Type	BNC Male
------	----------

**Video Output**

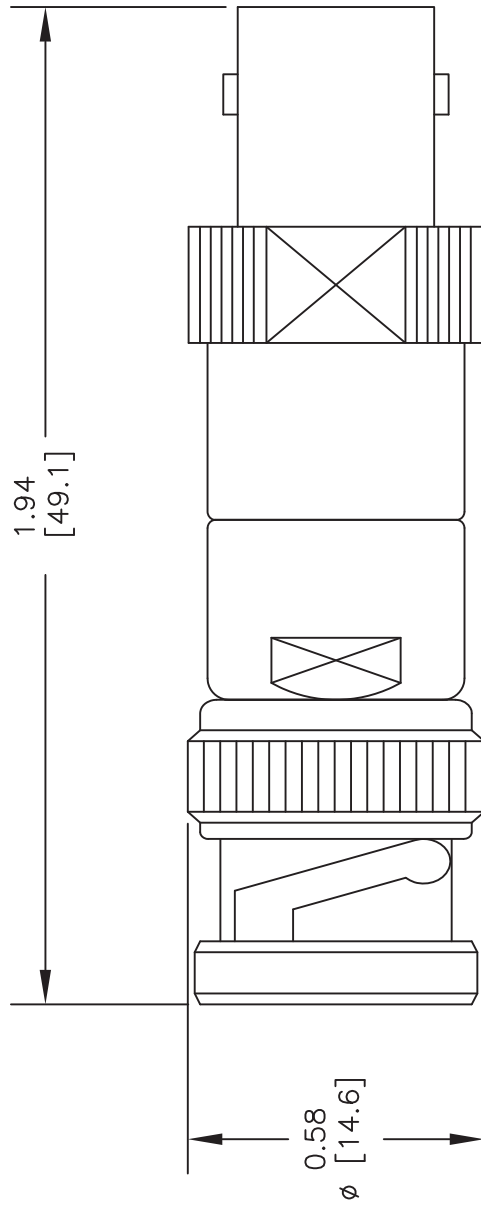
Type	BNC Female
------	------------

Click the following link (or enter part number in "SEARCH" on website) to obtain additional part information including price, [LEWRUDGHUWLFDWLRQ Zero Biased Detector With 50 Ohm BNC Male to BNC Female Video Out Operating From 0.1 MHz to 1,000 MHz PE8000-50](#)



# PE8000-50 CAD Drawing

Zero Biased Detector With 50 Ohm BNC Male to BNC Female  
Video Out Operating From 0.1 MHz to 1,000 MHz



#### NOTES:

1. UNLESS OTHERWISE SPECIFIED ALL DIMENSIONS ARE NOMINAL.
2. ALL SPECIFICATIONS ARE SUBJECT TO CHANGE WITHOUT NOTICE AT ANY TIME.
3. DIMENSIONS ARE IN INCHES [mm].

#### DWG TITLE

**PE8000-50**

REV. D

FSCM NO. 53919

CAD FILE 031912

SCALE N/A

SIZE A

2233